



FADWA
NONWOVEN
الأقمشة الغير منسوجة

Fadwa Nonwoven Factory

PRODUCT Catalogue

www.fadwaco.com



TABLE OF CONTENT

- Introduction
- Why Fadwa Nonwoven
- Infrastructure
- Our products
- Contact us



01 INTRODUCTION



Fadwa Nonwoven is built on the belief that packaging should be practical, reliable and kind to the environment. We create reusable and durable Nonwoven products that help businesses move toward a cleaner future.

Our values guide us in everything we do. We respect our elders, support families and care for the next generations. These values shape the way we work and the choices we make.

With responsible production and steady improvement, we aim to deliver products that are useful, well made and aligned with a more sustainable way of living.

02 WHY FADWA NONWOVEN ?

Choosing Fadwa means choosing a partner that focuses on quality, honesty and long term relationships.

Our Nonwoven bags provide a strong and practical alternative to single use plastics and help reduce everyday waste.

We carry our values into our work. Respect for elders, support for families and responsibility toward the next generations guide our approach.

Our team works with care, clear communication and consistent quality to make every client feel supported. Fadwa is here to offer simple, dependable and environmentally friendly solutions.

“We are the exclusive manufacturer of polypropylene Spunbond Nonwoven fabric”

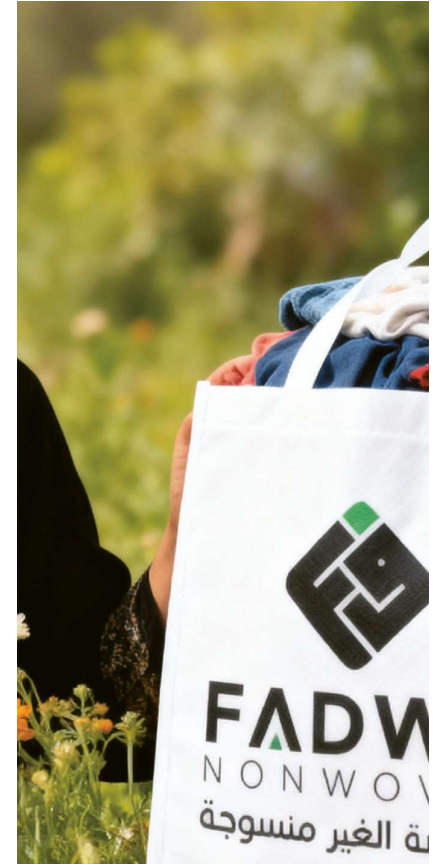


03 INFRASTRUCTURE

Our factory is one of our greatest strengths. It is a large, modern facility designed for high production capacity while consistently maintaining superior quality.

Within the facility, our core values guide every process. We respect the foundations built before us, operate with integrity, and remain committed to protecting the environment for future generations.

Through an organized workflow, skilled professionals, and efficient machinery, we deliver products with precision and care. Fadwa's infrastructure is designed for sustainable growth, responsible production, and the reliable delivery of products our clients can trust.



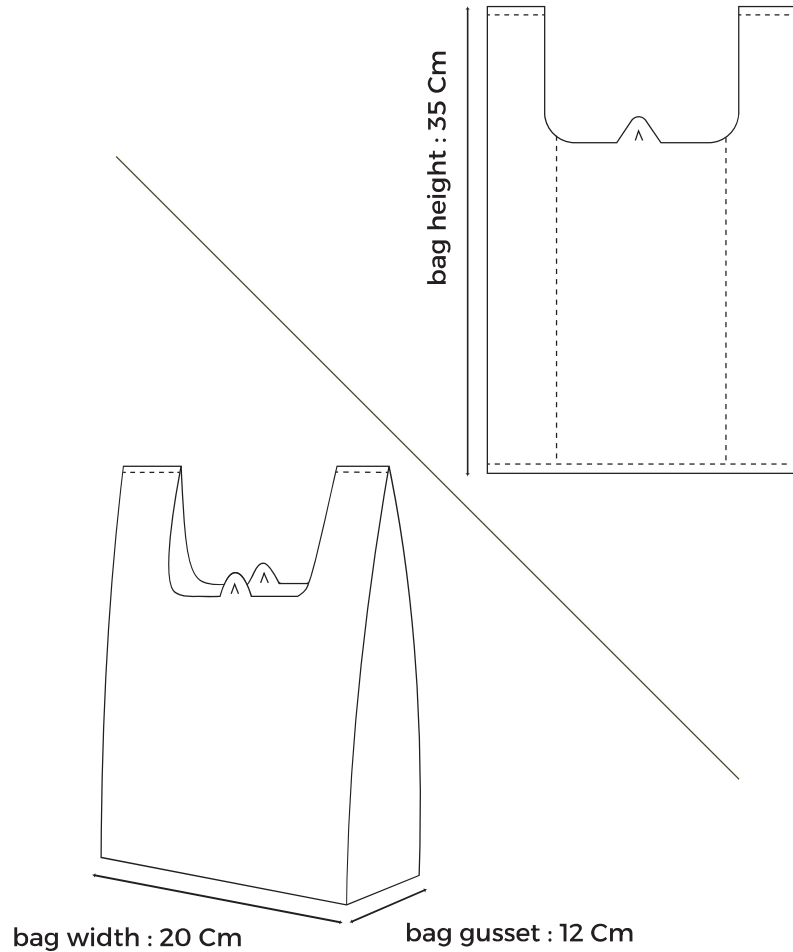
NONWOVEN FABRIC ROLLS

1. Agricultural crop covers 25 gsm and less.
2. Agricultural crop covers above 25 gsm
3. Nonwoven fabric rolls upto 25 gsm
4. Nonwoven fabric rolls above 25 to 70 gsm .
5. Nonwoven fabric rolls above 70 gsm upto 150 gsm



T SHIRT BAGS

Size and Dimension



Nonwoven TShirt Bag									
Product Code	Basis Weight	Bag Width	Bag Height	Bag Gusset	Center wcut width	Handle Height	Handle width	Bag weight	Bags in 1 Kg
	gsm	cm	cm	cm	mm	mm	mm	g/bag	bags/Kg
FNTS040203512	40	20	35	12	105	90	47.5	8.304	120.42
FNTS040224014	40	22	40	14	115	100	52.5	10.640	93.98
FNTS040244014	40	24	40	14	130	100	55	11.200	89.29
FNTS040243514	40	24	35	14	130	90	55	9.768	102.38
FNTS040245014	40	24	50	14	130	125	55	14.000	71.43
FNTS040254515	40	25	45	15	130	105	60	13.416	74.54
FNTS050255015	50	25	50	15	130	125	60	18.500	54.05
FNTS040275016	40	27	50	16	145	125	62.5	15.800	63.29
FNTS040284016	40	28	40	16	145	100	67.5	13.040	76.69
FNTS040285016	40	28	50	16	145	125	67.5	16.300	61.35
FNTS045305018	45	30	50	18	160	125	70	19.800	50.51
FNTS060305017	60	30	50	17	160	125	70	25.950	38.54
FNTS060306017	60	30	60	17	160	140	70	31.368	31.88
FNTS045316019	45	31	60	19	160	140	75	25.020	39.97
FNTS045326018	45	32	60	18	165	140	77.5	25.146	39.77
FNTS045335018	45	33	50	18	175	125	77.5	21.150	47.28
FNTS045336020	45	33	60	20	175	140	77.5	26.388	37.90
FNTS050336020	50	33	60	20	175	140	77.5	29.320	34.11
FNTS045344519	45	34	45	19	175	105	82.5	19.980	50.05
FNTS045345019	45	34	50	19	175	125	82.5	22.050	45.35
FNTS050346019	50	34	60	19	175	140	82.5	29.600	33.78
FNTS045354520	45	35	45	20	180	105	85	20.696	48.32
FNTS045355520	45	35	55	20	180	130	85	25.263	39.58
FNTS040355520	40	35	55	20	180	130	85	22.456	44.53
FNTS050356020	50	35	60	20	180	140	85	30.660	32.62
FNTS050365020	50	36	50	20	190	125	85	25.750	38.83
FNTS050366020	50	36	60	20	190	140	85	31.120	32.13
FNTS050376620	50	37	66	20	215	145	77.5	34.510	28.98
FNTS055376620	55	37	66	20	215	145	77.5	37.961	26.34
FNTS055386619	55	38	66	19	215	145	82.5	38.280	26.12
FNTS060406620	60	40	66	20	225	145	87.5	43.962	22.75
FNTS060408020	60	40	80	20	225	150	87.5	54.060	18.50
FNTS070408020	70	40	80	20	225	150	87.5	63.070	15.86
FNTS070428020	70	42	80	20	250	150	85	64.680	15.46

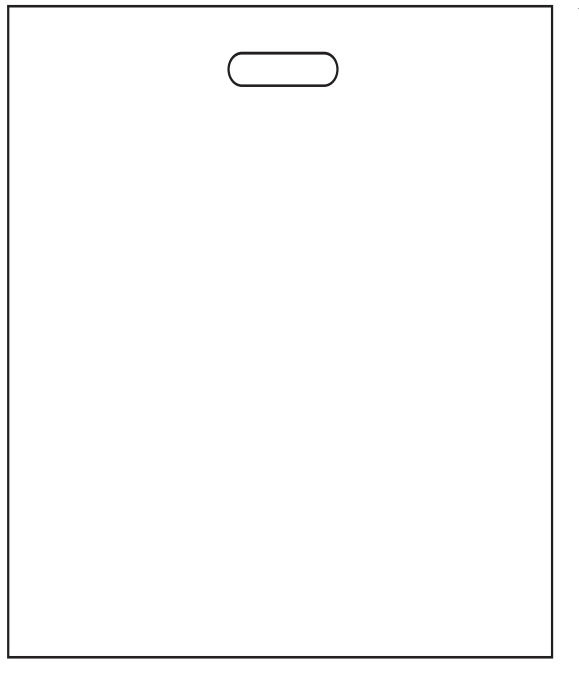


T SHIRT BAGS

FADWA

D CUT BAGS

Size and Dimension



bag width : 20 Cm

bag height : 25 Cm

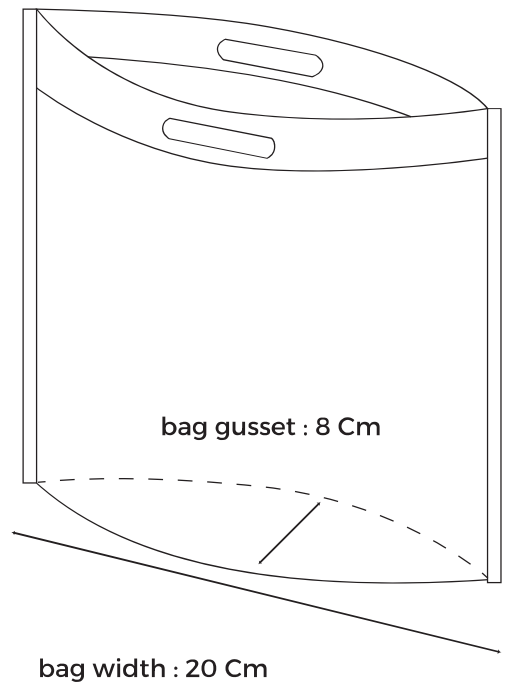
Nonwoven : D Cut Bags								
Product Code	Basis Weight	Bag width	Bag Height	Bag Gusset	Bag Handle width	Bag Handle	Bag Weight	Bags in 1 Kg
	GSM	cm	cm	cm	cm	cm	g	bags/Kg
FNDC045202500	45	20	25				5.243	190.75
FNDC050202500	50	20	25				5.825	171.67
FNDC060202500	60	20	25				6.990	143.06
FNDC070202500	70	20	25				8.155	122.62
FNDC050223000	50	22.5	30				7.725	129.45
FNDC060223000	60	22.5	30				9.270	107.87
FNDC070223000	70	22.5	30				10.815	92.46
FNDC050253500	50	25	35				9.875	101.27
FNDC060253500	60	25	35				11.850	84.39
FNDC070253500	70	25	35				13.825	72.33
FNDC060304000	60	30	40				16.110	62.07
FNDC070304000	70	30	40				18.795	53.21
FNDC060354500	60	35	45				20.970	47.69
FNDC070354500	70	35	45				24.465	40.87
FNDC060355000	60	35	50				23.070	43.35
FNDC070355000	70	35	50				26.915	37.15
FNDC060455000	60	45	50				29.790	33.57
FNDC070455000	70	45	50				34.755	28.77
FNDC060405300	60	40	53				27.870	35.88
FNDC070405300	70	40	53				32.515	30.76
FNDC070406000	70	40	60				36.435	27.45
FNDC070406500	70	40	65				39.235	25.49
FNDC070453500	70	45	35				25.305	39.52
FNDC070456000	70	45	60				41.055	24.36
FNDC070456600	70	45	66				44.835	22.30
FNDC070503500	70	50	35				28.175	35.49
FNDC070504500	70	50	45				35.175	28.43
FNDC070506000	70	50	60				45.675	21.89
FNDC070506500	70	50	65				49.175	20.34
FNDC070604000	70	60	40				38.115	26.24
FNDC070605000	70	60	50				46.515	21.50
FNDC070606500	70	60	65				59.115	16.92
FNDC070664000	70	66	40				41.979	23.82
FNDC070665000	70	66	50				51.219	19.52
FNDC070666500	70	66	65				65.079	15.37
FNDC070804000	70	80	40				50.995	19.61
FNDC070805000	70	80	50				62.195	16.08
FNDC070806000	70	80	60				73.395	13.62
FNDC070806500	70	80	65				78.995	12.66

D CUT BAGS



D CUT BOTTOM GUSSET BAGS

Size and Dimension



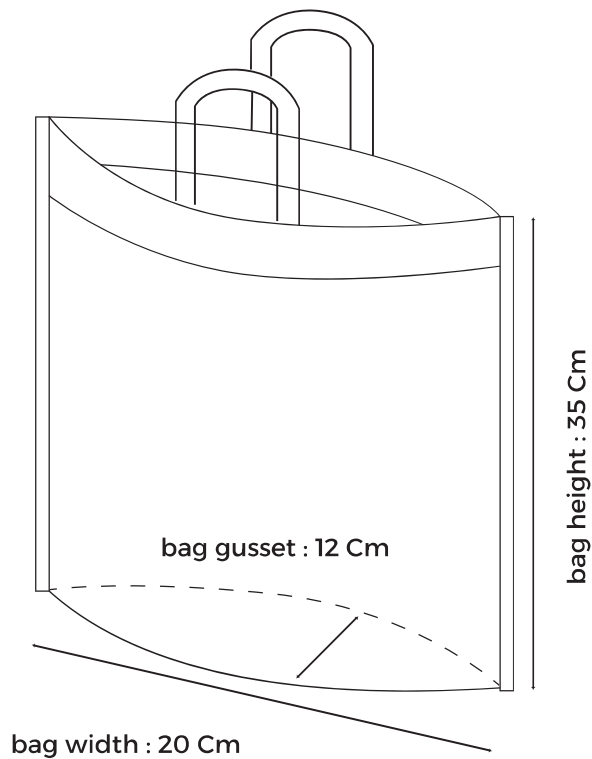
Nonwoven : Bottom Gusset Dcut Bags								
Product Code	Basis Weight	Bag width	Bag Height	Bag Gusset	Bag Handle width	Bag Handle	Bag Weight	Bags in 1 Kg
	GSM	cm	cm	cm	cm	cm	g	bags/Kg
FNDB045202508	45	20	25	8			5.963	167.71
FNDB050202508	50	20	25	8			6.625	150.94
FNDB060202508	60	20	25	8			7.950	125.79
FNDB070202508	70	20	25	8			9.275	107.82
FNDB050223009	50	22.5	30	9			8.738	114.45
FNDB060223009	60	22.5	30	9			10.485	95.37
FNDB070223009	70	22.5	30	9			12.233	81.75
FNDB050253510	50	25	35	10			11.125	89.89
FNDB060253510	60	25	35	10			13.350	74.91
FNDB070253510	70	25	35	10			15.575	64.21
FNDB060304012	60	30	40	12			18.270	54.73
FNDB070304012	70	30	40	12			21.315	46.92
FNDB060354514	60	35	45	14			23.910	41.82
FNDB070354514	70	35	45	14			27.895	35.85
FNDB060355014	60	35	50	14			26.010	38.45
FNDB070355014	70	35	50	14			30.345	32.95
FNDB060455018	60	45	50	18			34.650	28.86
FNDB070455018	70	45	50	18			40.425	24.74
FNDB060405316	60	40	53	16			31.710	31.54
FNDB070405316	70	40	53	16			36.995	27.03
FNDB070406012	70	40	60	12			39.795	25.13
FNDB070453520	70	45	35	20			31.605	31.64
FNDB070456012	70	45	60	12			44.835	22.30
FNDB070503520	70	50	35	20			35.175	28.43
FNDB070504520	70	50	45	20			42.175	23.71
FNDB070506012	70	50	60	12			49.875	20.05
FNDB070604020	70	60	40	20			46.515	21.50
FNDB070605020	70	60	50	20			54.915	18.21
FNDB070664020	70	66	40	20			51.219	19.52
FNDB070665020	70	66	50	20			60.459	16.54
FNDB070804020	70	80	40	20			62.195	16.08
FNDB070805020	70	80	50	20			73.395	13.62
FNDB070806012	70	80	60	12			80.115	12.48

D CUT BOTTOM GUSSET BAGS



LOOP HANDLE BAGS

Size and Dimension



Nonwoven : Bottom Gusset Loop Handle Bags

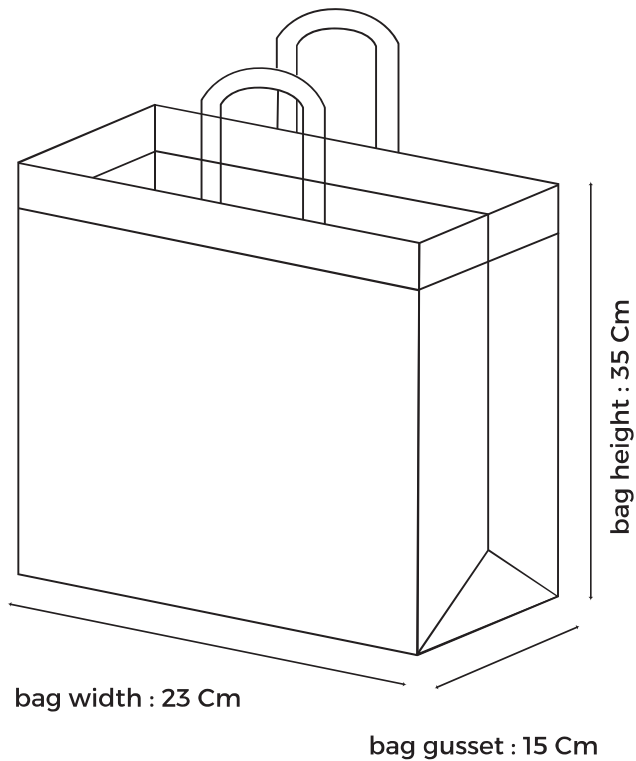
Product Code	Basis Weight	Bag width	Bag Height	Bag Gusset	Bag Handle width	Bag Handle	Bag Weight	Bags in 1 Kg
	GSM	cm	cm	cm	cm	cm	g	bags/Kg
FNLB070223009	70	22.5	30	9	2.5	38	14.788	67.62
FNLB070253510	70	25	35	10	2.5	41	18.270	54.73
FNLB070304012	70	30	40	12	2.5	41	23.870	41.89
FNLB070354514	70	35	45	14	2.5	41	30.310	32.99
FNLB070355014	70	35	50	14	2.5	41	32.760	30.53
FNLB070455018	70	45	50	18	2.5	41	42.560	23.50
FNLB070405316	70	40	53	16	2.5	41	39.270	25.46
FNLB070406012	70	40	60	12	2.5	41	42.070	23.77
FNLB070406500	70	40	65	0	2.5	41	41.510	24.09
FNLB070453520	70	45	35	20	2.5	41	33.740	29.64
FNLB070456012	70	45	60	12	2.5	41	46.970	21.29
FNLB070456600	70	45	66	0	2.5	41	46.970	21.29
FNLB070503520	70	50	35	20	2.5	41	37.170	26.90
FNLB070504520	70	50	45	20	2.5	41	44.170	22.64
FNLB070506012	70	50	60	12	2.5	41	51.870	19.28
FNLB070506500	70	50	65	0	2.5	41	51.170	19.54
FNLB070604020	70	60	40	20	3	50	49.560	20.18
FNLB070605020	70	60	50	20	3	50	57.960	17.25
FNLB070606500	70	60	65	0	3	50	62.160	16.09
FNLB070664020	70	66	40	20	3	50	54.096	18.49
FNLB070665020	70	66	50	20	3	50	63.336	15.79
FNLB070666500	70	66	65	0	3	50	67.956	14.72
FNLB070804020	70	80	40	20	3	60	65.520	15.26
FNLB070805020	70	80	50	20	3	60	76.720	13.03
FNLB070806012	70	80	60	12	3	60	83.440	11.98
FNLB070806500	70	80	65	0	3	60	82.320	12.15

LOOP HANDLE LOOP HANDLE BAG



BOX BAG

Size and Dimension



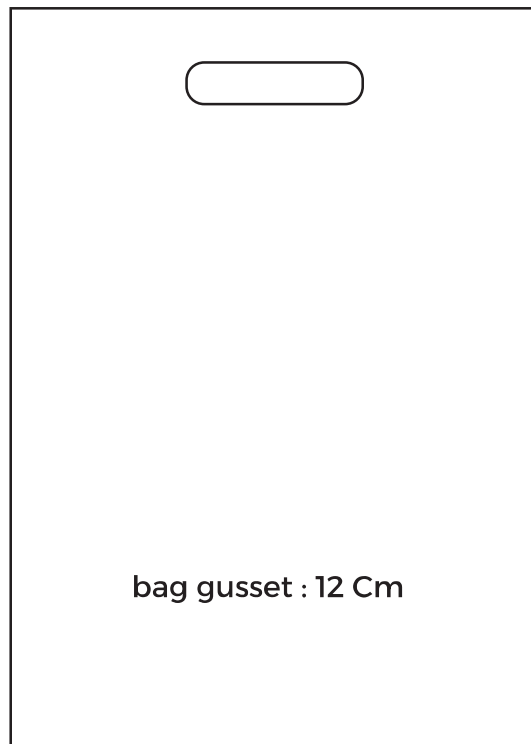
Nonwoven : Box Bags

Product Code	Basis Weight	Bag width	Bag Height	Bag Gusset	Bag Handle width	Bag Handle Length	Bag Weight	Bags in 1 Kg	Bag Volume Capacity
	GSM	cm	cm	cm	cm	cm	g	bags/Kg	liters
FNBB070233515	70	23	35	15	2.5	38	28.700	34.84	12.075
FNBB080233515	80	23	35	15	2.5	38	32.420	30.85	12.075
FNBB090233515	90	23	35	15	2.5	38	36.140	27.67	12.075
FNBB070283515	70	28	35	15	2.5	40	32.095	31.16	14.700
FNBB080283515	80	28	35	15	2.5	40	36.280	27.56	14.700
FNBB090283515	90	28	35	15	2.5	40	40.465	24.71	14.700
FNBB070332915	70	33	29	15	2.5	41	31.220	32.03	14.355
FNBB080332915	80	33	29	15	2.5	41	35.270	28.35	14.355
FNBB090332915	90	33	29	15	2.5	41	39.320	25.43	14.355
FNBB070323716	70	32	37	16	2.5	41	37.170	26.90	18.944
FNBB080323716	80	32	37	16	2.5	41	42.070	23.77	18.944
FNBB090323716	90	32	37	16	2.5	41	46.970	21.29	18.944
FNBB100322832	100	32	28	32	2.5	41	66.230	15.10	28.672
FNBB110322832	110	32	28	32	2.5	41	72.566	13.78	28.672
FNBB120322832	120	32	28	32	2.5	41	78.902	12.67	28.672
FNBB100384220	100	38	42	20	2.5	41	70.070	14.27	31.920
FNBB110384220	110	38	42	20	2.5	41	76.790	13.02	31.920
FNBB100464018	100	46	40	18	3	58	74.832	13.36	33.120
FNBB110464018	110	46	40	18	3	58	81.828	12.22	33.120
FNBB120464018	120	46	40	18	3	58	88.824	11.26	33.120
FNBB100343830	100	34	38	30	2.5	41	78.110	12.80	38.760
FNBB110343830	110	34	38	30	2.5	41	85.634	11.68	38.760
FNBB120343830	120	34	38	30	2.5	41	93.158	10.73	38.760
FNBB100452733	100	45	27	33	3	47	79.948	12.51	40.095
FNBB110452733	110	45	27	33	3	47	87.548	11.42	40.095
FNBB120452733	120	45	27	33	3	47	95.148	10.51	40.095
FNBB100364028	100	36	40	28	2.5	41	79.430	12.59	40.320
FNBB110364028	110	36	40	28	2.5	41	87.086	11.48	40.320
FNBB120364028	120	36	40	28	2.5	41	94.742	10.55	40.320
FNBB100432835	100	43	28	35	3	47	83.148	12.03	42.140
FNBB110432835	110	43	28	35	3	47	91.068	10.98	42.140
FNBB120432835	120	43	28	35	3	47	98.988	10.10	42.140
FNBB100504028	100	50	40	28	3	58	97.672	10.24	56.000
FNBB110504028	110	50	40	28	3	58	106.952	9.35	56.000
FNBB120504028	120	50	40	28	3	58	116.232	8.60	56.000



BOX BAGS

SIDE GUSSET D CUT BAGS



bag gusset : 12 Cm

bag width : 20 Cm

bag height : 35 Cm

Size and Dimension

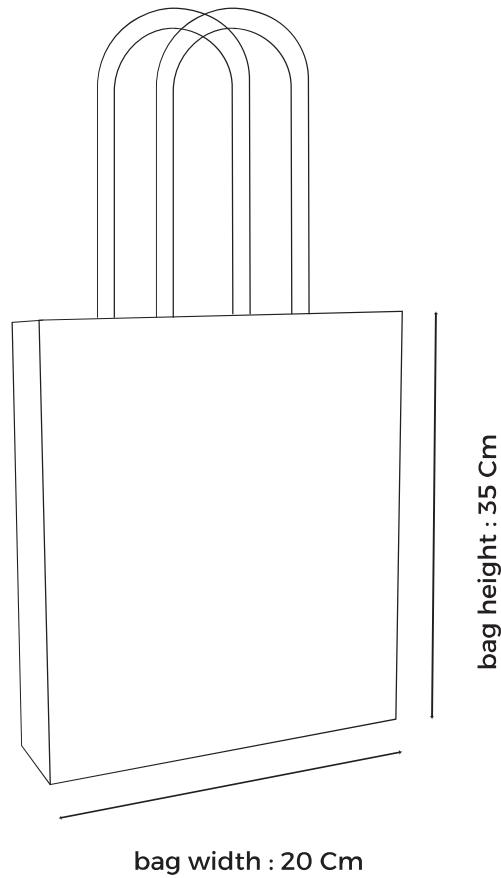
Nonwoven -Side Gusset D-cut Bag						
Product Code	Basis Weight	Bag Width	Bag Height	Bag Gusset	Bag weight	Bags in 1 Kg
	gsm	cm	cm	cm	g/bag	bags/Kg
FNSD070202512	70	20	25	12	11.288	88.59
FNSD070222514	70	22	25	14	12.688	78.82
FNSD070242514	70	24	25	14	13.388	74.70
FNSD070243014	70	24	30	14	16.118	62.04
FNSD070243514	70	24	35	14	18.848	53.06
FNSD070252515	70	25	25	15	14.088	70.98
FNSD070253015	70	25	30	15	16.958	58.97
FNSD070253515	70	25	35	15	19.828	50.44
FNSD070272516	70	27	25	16	15.138	66.06
FNSD070273016	70	27	30	16	18.218	54.89
FNSD070273516	70	27	35	16	21.298	46.95
FNSD070303018	70	30	30	18	20.318	49.22
FNSD070303518	70	30	35	18	23.748	42.11
FNSD070323018	70	32	30	18	21.158	47.26
FNSD070323518	70	32	35	18	24.728	40.44
FNSD070353019	70	35	30	19	22.838	43.79
FNSD070353519	70	35	35	19	26.688	37.47

SIDE GUSSET D CUT BAGS



SIDE GUSSET LOOP HANDLE BAGS.

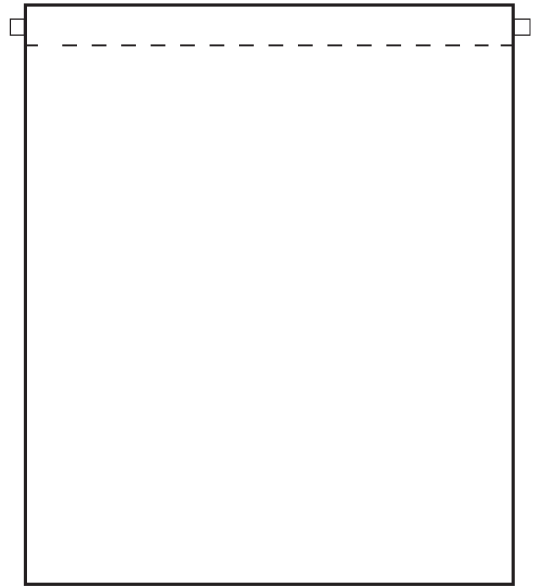
Size and Dimension



Nonwoven -Side Gusset Loop Handle Bag								
Product Code	Basis Weight	Bag Width	Bag Height	Bag Gusset	Bag Handle width	Bag Handle Length	Bag weight	Bags in 1 Kg
	gsm	cm	cm	cm	cm	cm	g/bag	bags/Kg
FNSL070202512	70	20	25	12	2.5	38	14.210	70.37
FNSL070222514	70	22	25	14	2.5	38	15.610	64.06
FNSL070242514	70	24	25	14	2.5	40	16.450	60.79
FNSL070243014	70	24	30	14	2.5	40	19.180	52.14
FNSL070243514	70	24	35	14	2.5	40	21.910	45.64
FNSL070252515	70	25	25	15	2.5	40	17.150	58.31
FNSL070253015	70	25	30	15	2.5	40	20.020	49.95
FNSL070253515	70	25	35	15	2.5	40	22.890	43.69
FNSL070272516	70	27	25	16	2.5	40	18.200	54.95
FNSL070273016	70	27	30	16	2.5	40	21.280	46.99
FNSL070273516	70	27	35	16	2.5	40	24.360	41.05
FNSL070303018	70	30	30	18	2.5	40	23.380	42.77
FNSL070303518	70	30	35	18	2.5	40	26.810	37.30
FNSL070323018	70	32	30	18	2.5	41	24.290	41.17
FNSL070323518	70	32	35	18	2.5	41	27.860	35.89
FNSL070353019	70	35	30	19	2.5	41	25.970	38.51
FNSL070353519	70	35	35	19	2.5	41	29.820	33.53

SIDE GUSSET LOOP HANDLE BAGS.





bag width : 45 Cm

bag height : 60 Cm

Size and Dimension

Other Converted Products: Laundry Bag, Hair Dryer Bag, Shoe Cover Bag

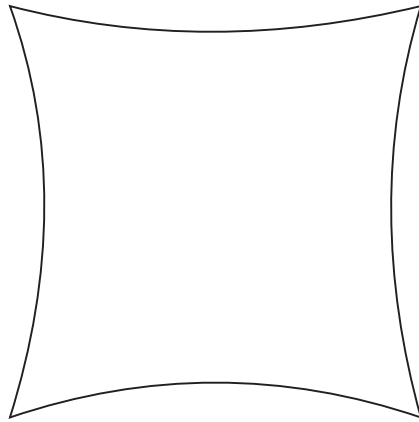
Product Code	Basis Weight	Bag width	Bag Height	Rope Thickness	Bag Weight without rope	Bags in 1 Kg
	GSM	cm	cm	mm	g	bags/Kg
FNOL045456000	45	45	60	3	25.515	39.19
FNOL050456000	50	45	60	3	28.350	35.27
FNOL055456000	55	45	60	3	31.185	32.07
FNOL060456000	60	45	60	3	34.020	29.39
FNOL045354500	45	35	45	3	15.120	66.14
FNOL050354500	50	35	45	3	16.800	59.52
FNOL055354500	55	35	45	3	18.480	54.11
FNOL060354500	60	35	45	3	20.160	49.60
FNOL045505300	45	50	53	3	25.200	39.68
FNOL050505300	50	50	53	3	28.000	35.71
FNOL055505300	55	50	53	3	30.800	32.47
FNOL060505300	60	50	53	3	33.600	29.76
FNOL045405000	45	40	50	3	19.080	52.41
FNOL050405000	50	40	50	3	21.200	47.17
FNOL055405000	55	40	50	3	23.320	42.88
FNOL060405000	60	40	50	3	25.440	39.31
FNOL045253500	45	25	35	3	8.550	116.96
FNOL050253500	50	25	35	3	9.500	105.26
FNOL055253500	55	25	35	3	10.450	95.69
FNOL060253500	60	25	35	3	11.400	87.72
FNOL045304000	45	30	40	3	11.610	86.13
FNOL050304000	50	30	40	3	12.900	77.52
FNOL055304000	55	30	40	3	14.190	70.47
FNOL060304000	60	30	40	3	15.480	64.60



LAUNDRY BAGS

PILLOW COVERS

Size and Dimension



bag width : 30 Cm


bag height : 40 Cm

Pillow Cover & Pillow Teak

Product Code	Basis weight	Pillow Width	Pillow Length	Flap	Pillow cover Weight	Covers in 1 Kg	Remarks
	GSM	cm	cm	cm	grams	pcs/Kg	
FNPC045304000	45	30	40	0	10.800	92.59	Pillow cover - one side open; no flap
FNPC050304000	50	30	40	0	12.000	83.33	Pillow cover - one side open; no flap
FNPC055304000	55	30	40	0	13.200	75.76	Pillow cover - one side open; no flap
FNPC060304000	60	30	40	0	14.400	69.44	Pillow cover - one side open; no flap
FNPC070304000	70	30	40	0	16.800	59.52	Pillow cover - one side open; no flap
FNPC045487010	45	48	70	10	33.390	29.95	Pillow cover - One side (Length side) open with flap
FNPC050487010	50	48	70	10	37.100	26.95	Pillow cover - One side (Length side) open with flap
FNPC055487010	55	48	70	10	40.810	24.50	Pillow cover - One side (Length side) open with flap
FNPC060487010	60	48	70	10	44.520	22.46	Pillow cover - One side (Length side) open with flap
FNPC070487010	70	48	70	10	51.940	19.25	Pillow cover - One side (Length side) open with flap
FNPT045454500	45	45	45	0	18.225	54.87	Pillow teak - All sides closed with small cut to fill fibers
FNPT050454500	50	45	45	0	20.250	49.38	Pillow teak - All sides closed with small cut to fill fibers
FNPT055454500	55	45	45	0	22.275	44.89	Pillow teak - All sides closed with small cut to fill fibers
FNPT060454500	60	45	45	0	24.300	41.15	Pillow teak - All sides closed with small cut to fill fibers
FNPT070454500	70	45	45	0	28.350	35.27	Pillow teak - All sides closed with small cut to fill fibers
FNPT045457000	45	45	70	0	28.350	35.27	Pillow teak - All sides closed with small cut to fill fibers
FNPT050457000	50	45	70	0	31.500	31.75	Pillow teak - All sides closed with small cut to fill fibers
FNPT055457000	55	45	70	0	34.650	28.86	Pillow teak - All sides closed with small cut to fill fibers
FNPT060457000	60	45	70	0	37.800	26.46	Pillow teak - All sides closed with small cut to fill fibers
FNPT070457000	70	45	70	0	44.100	22.68	Pillow teak - All sides closed with small cut to fill fibers

PILLOW COVERS





“Other Converted Products”
Suit Covers,
Nonwoven Sheets,
and Printed Rolls







FADWA
NONWOVEN

we love nature!

471, Khazaen Industrial area, Barka, Sultanate of Oman

📞 95577726
95577762

✉️ sales@fadwaco.com